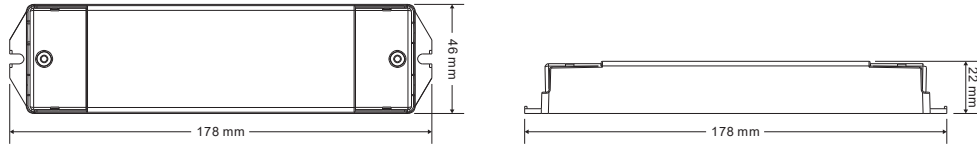
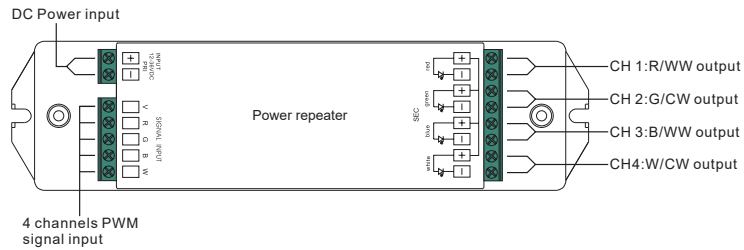


Important: Read all instructions prior to installation.

Dimensions



Functions



Product data

Input voltage	Output current	Output power	Remarks	Size (LxWxH)
12-36VDC	4x5A	4x(60-180)W	Constant voltage	178x46x22mm

- Repeater dimming signal
- One channel/three channel/four channel optional
- Constant voltage
- Power repeater in series to expand output unlimitedly
- Waterproof grade: IP20

Safety & warnings

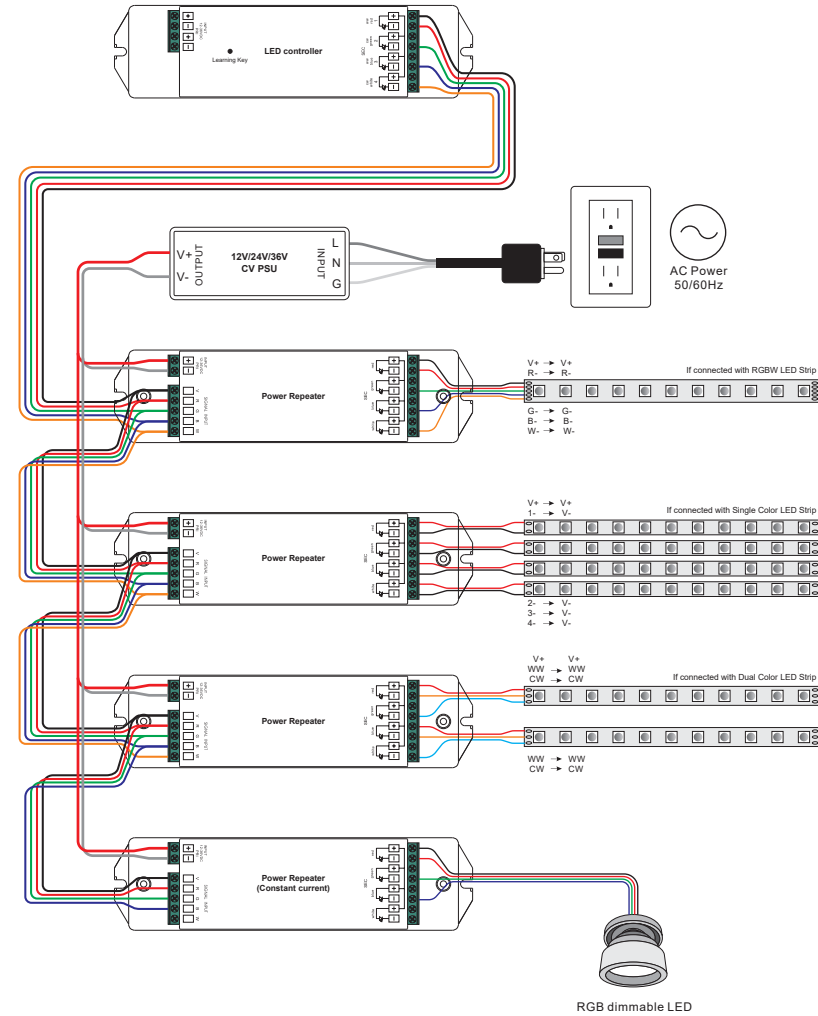
- DO NOT install with power applied to device
- DO NOT expose the device to moisture

Operation

The LED power repeater is suitable for all of our single color & RGB controllers to expand power output. It supports PWM control and can connect one to three times more LEDs by adding one more power repeater. A maximum number of 5 power repeaters can be connected.

The constant voltage power repeater can also be connected to constant current power repeaters, which is convenient for controlling LEDs with different voltage and power.

Wiring diagram



IMPORTER

NEDELKO B.V. Riga 10, 2993 LW Barendrecht, T +31 (0)180 64 54 00, E info@nedelko.nl NEDELKO BELGIUM NV Prins Boudewijnlaan 49, 2650 Edegem, T +32 (0)3 826 99 99, E info@nedelko.be NEDELKO S.R.O. Ke Slivenci 48, 154 00 Praha 5 - Lochkov, T +420 222 563 003, E info@nedelko.cz NEDELKO GERMANY GMBH Heinz-Bäcker-Str. 27, 45356 Essen, T +49 (0)201 560503 50, E info@nedelko.de