

PROLUMIA®

PRO-FUSION

SURFACE MOUNTED INSTALLATION



INSTRUCTION MANUAL

SURFACE MOUNT ENCLOSURE

40002901 Ø 145 x 93 mm

40002902 Ø 190 x 93 mm

40002903 Ø 228 x 100 mm

COMPATIBLE WITH

40002910 Pro-Fusion 120 | max. 14 W

40002930 Pro-Fusion 160 | max. 14 W

40002931 Pro-Fusion 160 | max. 24 W

40002935 Pro-Fusion 160 | Dimmable

40002940 Pro-Fusion 200 | max. 14 W

40002941 Pro-Fusion 200 | max. 24 W

40002945 Pro-Fusion 200 | Dimmable



ATTENTION

IMPORTANT - READ THE INSTRUCTION MANUAL CAREFULLY BEFORE INSTALLING THIS FIXTURE.
RETAIN THIS INSTRUCTION MANUAL FOR FUTURE REFERENCE.

CAUTION

1. This product must be installed by a qualified electrician.
2. Before starting installation, SHUT the line feed AC-power OFF using the circuit breaker.
3. Cross-sectional area of installation wires must be at least 0.75 mm². Installation must be done according to IEC-standards and/or applicable local electrical regulations.

GENERAL PRODUCT INFORMATION

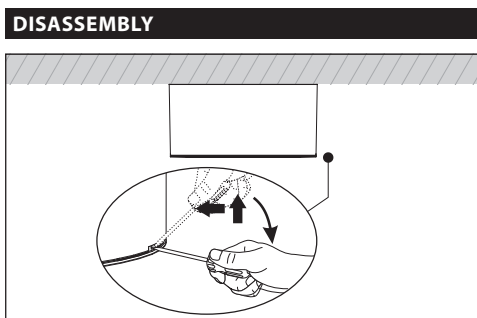
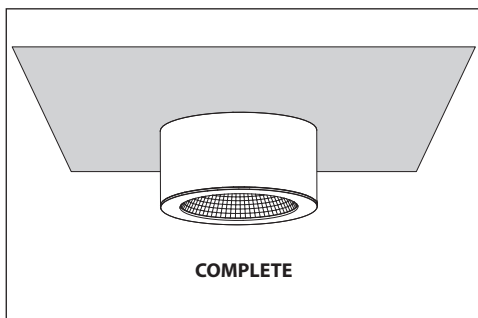
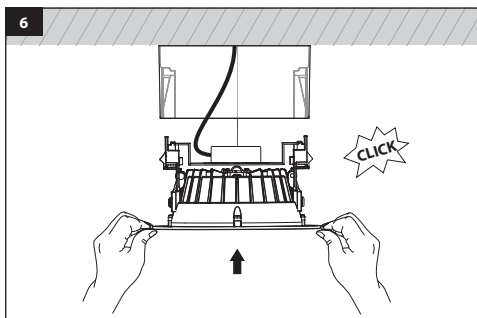
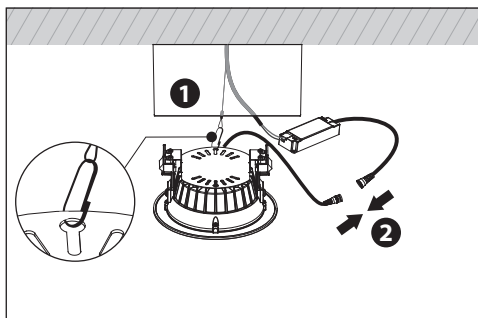
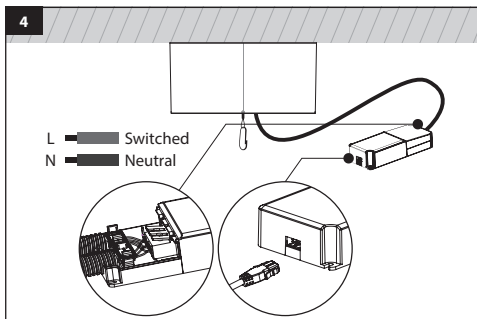
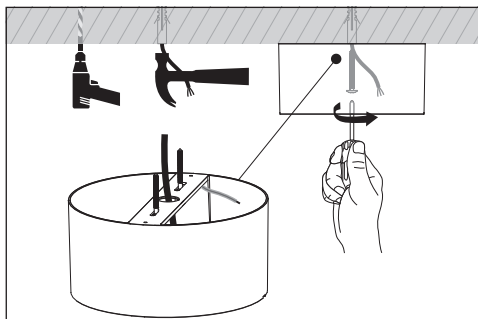
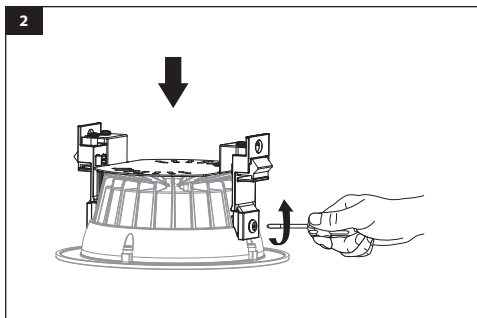
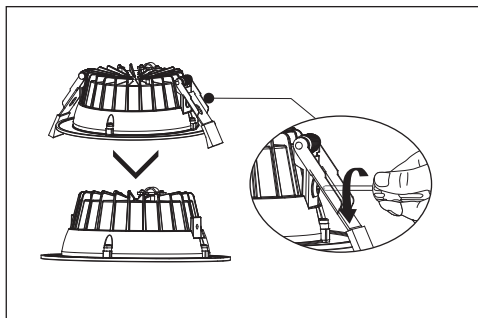
Item no.	Description
40002901	Surface Mount Enclosure for Pro-Fusion 120 Downlight - Ø 145 x H 93 mm
40002902	Surface Mount Enclosure for Pro-Fusion 160 Downlight - Ø 190 x H 93 mm
40002903	Surface Mount Enclosure for Pro-Fusion 200 Downlight - Ø 228 x H 100 mm

ENVIRONMENTAL PROTECTION

Waste electrical products should not be disposed of with household waste. Please recycle where facilities exist.
Check with your local authority or retailer for recycling advice.



SURFACE MOUNTED INSTALLATION



PROLUMIA[®]

IMPORTER

NEDELKO B.V.

Riga 10

2993 LW BARENDRECHT

T +31 (0)180 64 54 00

E info@nedelko.nl

NEDELKO BELGIUM NV

Prins Boudewijnlaan 49

2650 EDEGEM

T +32 (0)3 826 99 99

E info@nedelko.be

NEDELKO S.R.O.

Ke Slivenci 48

154 00 PRAHA 5 - LOCHKOV

T +420 222 563 003

E info@nedelko.cz

NEDELKO GERMANY GMBH

Feldbergstraße 57

61440 OBERURSEL

T +49 6171 8989 594

E info@nedelko.de