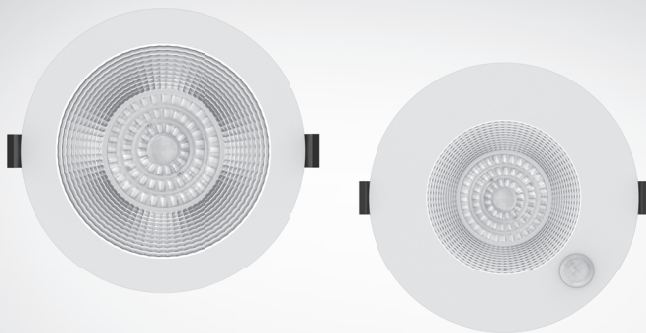


# PROLUMIA®

## PRO-FUSION RECESSED DOWNLIGHT



## INSTRUCTION MANUAL

40002910	Pro-Fusion 120   max. 14 W
40002920	Pro-Fusion 140   max. 14 W
40002930	Pro-Fusion 160   max. 14 W
40002931	Pro-Fusion 160   max. 24 W
40002940	Pro-Fusion 200   max. 14 W
40002941	Pro-Fusion 200   max. 24 W
40002951	Pro-Fusion S160   PIR   max. 12 W



## ATTENTION

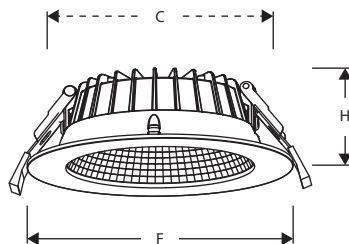
**IMPORTANT** - READ THE INSTRUCTION MANUAL CAREFULLY BEFORE INSTALLING THIS FIXTURE.  
RETAIN THIS INSTRUCTION MANUAL FOR FUTURE REFERENCE.

## CAUTION

1. This product must be installed by a qualified electrician.
2. Before starting installation, SHUT the line feed AC-power OFF using the circuit breaker.
3. Cross-sectional area of installation wires must be at least 0.75 mm<sup>2</sup>. Installation must be done according to IEC-standards and/or applicable local electrical regulations.
4. This product contains a light source of energy efficiency class A.

## GENERAL PRODUCT INFORMATION

LED-module	SMD2835-based , non-replaceable
Beam angle	60°
Adjustable CCT	3000-3500-4000 K, slide switch selectable
Adjustable lm-output	(DIP) switch selectable per table below
Ingress Protection	IP44 above ceiling, IP54 below ceiling
Luminous efficacy	135 lm/W up to 170 lm/W
Lumen packages	860-3.500 lm, 4 or 5* levels per fixture
Anti-glare rating	UGR<19 compliant versions available
Median useful life	L90 50.000 hours
AC Input	220-240V AC 50/60Hz
Operating temperature	-20°C – +40°C
Electrical safety class	Class II
Power supply	Non-dimmable LED-Driver
Fixture material	Light weight aluminium / low profile design



C = Cutout size  
H = Height  
F = Front

\*) Applicable to Pro-Fusion S160.

## TECHNICAL PRODUCT DATA

Item no.	Description	Height (mm)	Front (mm)	Cutout size (mm)	CCT options (K)	Current (mA)	Power (W)	Output (lm)	Dip switch setting		
									1	2	
40002910	Pro-Fusion 120   max. 14 W	55	Ø 145	Ø 120-130	3000	200	7.5	1062	OFF	OFF	
						3500	9.7	1349	ON	OFF	
						4000	300	11.2	1530	OFF	ON
						350	13.6	1804	ON	ON	
40002920	Pro-Fusion 140   max. 14 W	58	Ø 170	Ø 140-150	3000	200	7.4	1108	OFF	OFF	
						3500	250	9.6	1412	ON	OFF
						4000	300	11.1	1604	OFF	ON
						350	13.5	1897	ON	ON	
40002930	Pro-Fusion 160   max. 14 W	61	Ø 190	Ø 160-170	3000	200	7.3	1154	OFF	OFF	
						3500	250	9.6	1474	ON	OFF
						4000	300	11.0	1678	OFF	ON
						350	13.4	1990	ON	ON	
40002931	Pro-Fusion 160   max. 24 W	61	Ø 190	Ø 160-170	3000	450	17.3	2601	OFF	OFF	
						3500	500	19.4	2856	ON	OFF
						4000	550	21.8	3079	OFF	ON
						600	24.0	3317	ON	ON	
40002940	Pro-Fusion 200   max. 14 W	61	Ø 228	Ø 200-210	3000	200	7.3	1169	OFF	OFF	
						3500	250	9.4	1499	ON	OFF
						4000	300	10.9	1709	OFF	ON
						350	13.2	2028	ON	ON	
40002941	Pro-Fusion 200   max. 24 W	61	Ø 228	Ø 200-210	3000	450	17.3	2660	OFF	OFF	
						3500	500	19.4	2925	ON	OFF
						4000	550	21.4	3173	OFF	ON
						600	23.5	3429	ON	ON	
40002951	Pro-Fusion S160   PIR   max. 12 W	55	Ø 180	Ø 160-170	3000	150	6.0	860	Adjustable through slide switch on driver		
						200	8.0	1062			
						3500	250	10.0			1349
						4000	280	11.0			1425
						300	12.0	1530			

## ACCESSORIES

Item no.	Description
40002901	Surface Mount Enclosure for Pro-Fusion 120 Downlight - Ø 145 x H 93 mm
40002902	Surface Mount Enclosure for Pro-Fusion 160 Downlight - Ø 190 x H 93 mm
40002903	Surface Mount Enclosure for Pro-Fusion 200 Downlight - Ø 228 x H 100 mm
40002905	Emergency Conversion Kit - 3h - Autotest - LiFePO4-Battery - 6.4 V - 3200 mAh
40002906	Adapter-Ring for Pro-Fusion 200 Downlight - for Ø 210-260 mm ceiling cutouts

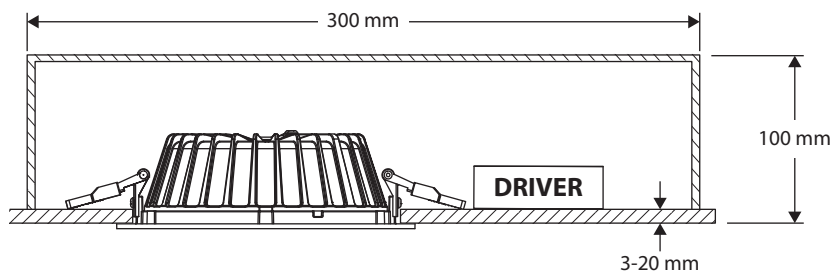
## INTENDED USE & APPLICATIONS

- Ceiling-recessed or surface mounted general lighting
- Energy-saving replacement of compact fluorescent downlights
- Cost-effective quality lighting for new construction projects.
- UGR<19 compliant for work spaces in offices and other demanding environments.
- Versatile lighting solution for healthcare and educational facilities, public buildings, retail and hospitality projects

## CIRCUIT BREAKER MAXIMUM LOAD

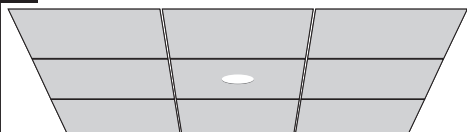
Item no.	Description	No. of units per circuit breaker type			
		B16	B20	C16	C20
40002910	Pro-Fusion 120   max. 14 W	27	34	45	56
40002920	Pro-Fusion 140   max. 14 W	27	34	45	56
40002930	Pro-Fusion 160   max. 14 W	27	34	45	56
40002931	Pro-Fusion 160   max. 24 W	21	26	35	43
40002940	Pro-Fusion 200   max. 14 W	27	34	45	56
40002941	Pro-Fusion 200   max. 24 W	21	26	35	43
40002951	Pro-Fusion S160   PIR   max. 12 W	27	34	45	56

## RECESSED INSTALLATION - MINIMUM SPACINGS



## RECESSED INSTALLATION

1



Select desired CCT:  
3000-3500-4000 K



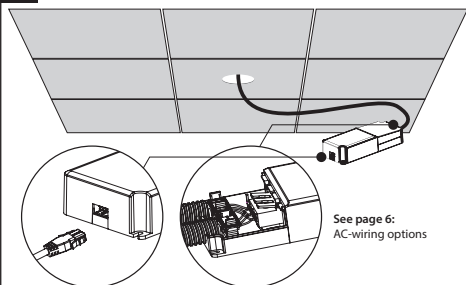
Select desired  
lumen output\*



Ceiling cutout\*

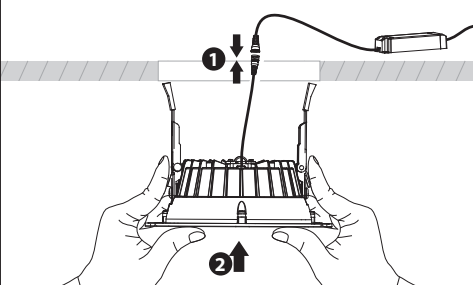
\*) See technical product data for more information.

2.1 Regular version

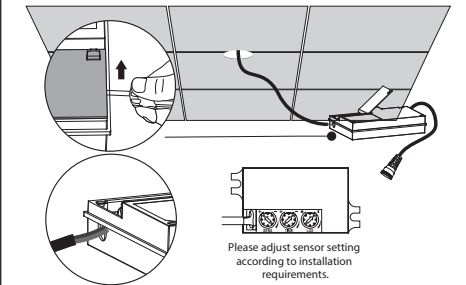


See page 6:  
AC-wiring options

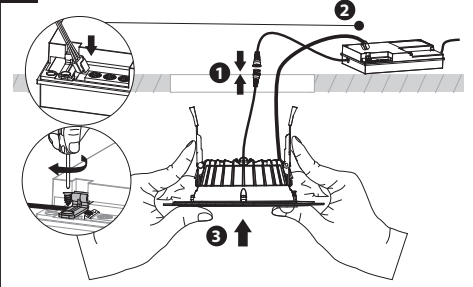
2.2 Regular version



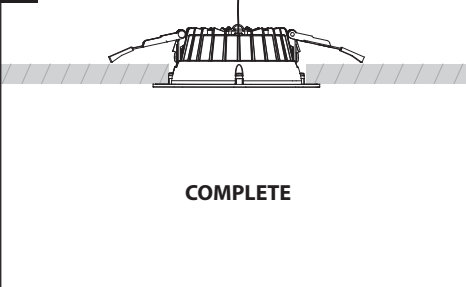
3.1 PIR sensor version



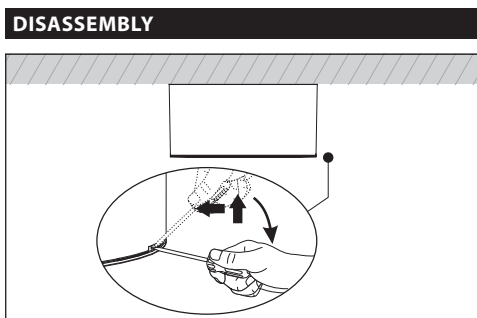
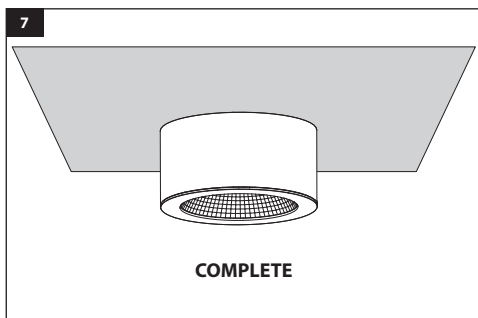
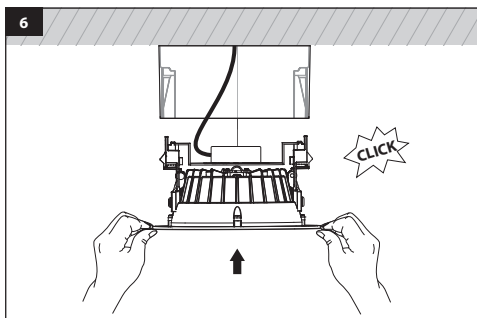
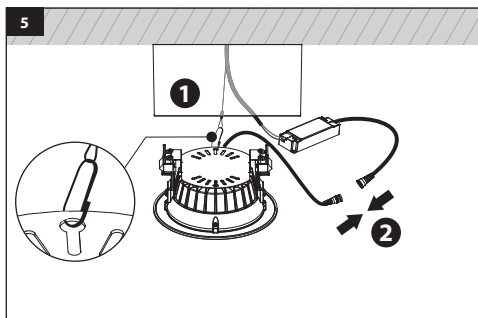
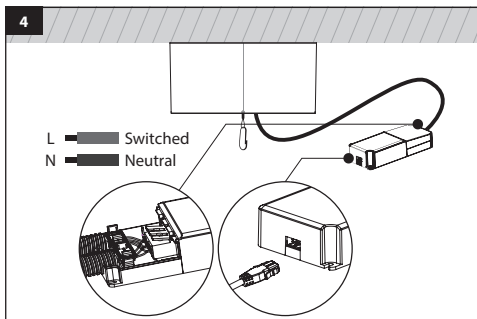
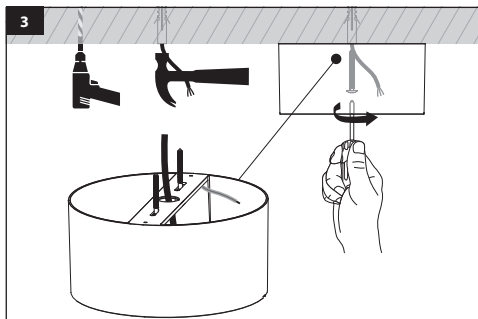
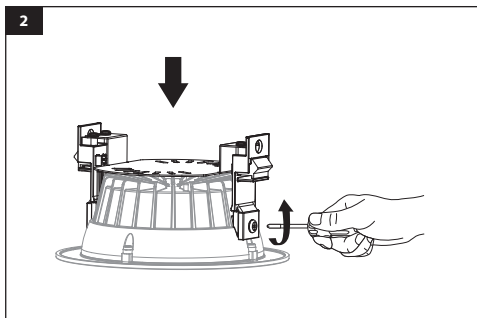
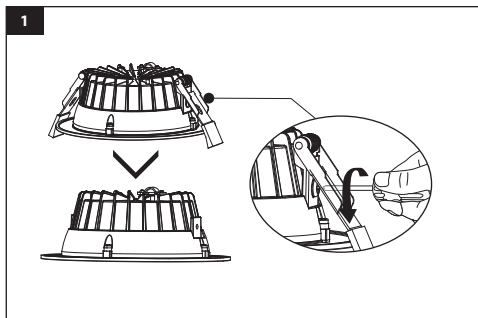
3.2 PIR sensor version



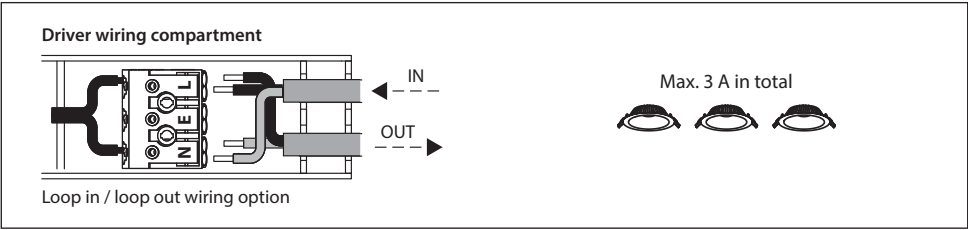
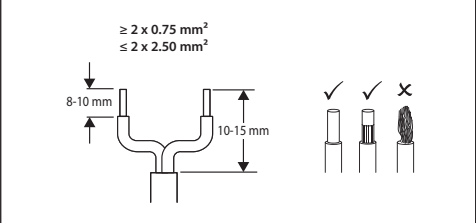
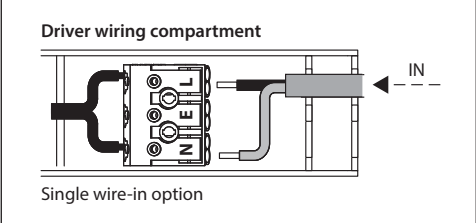
4



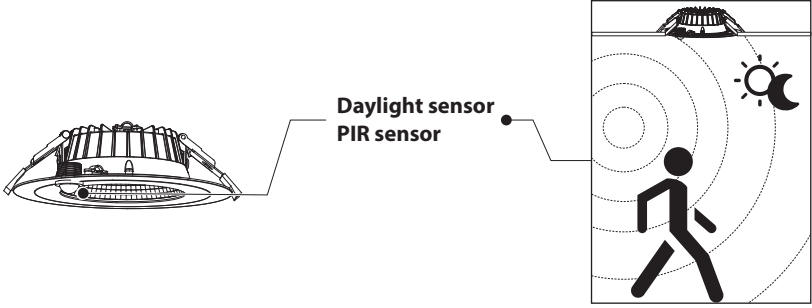
## SURFACE MOUNTED INSTALLATION



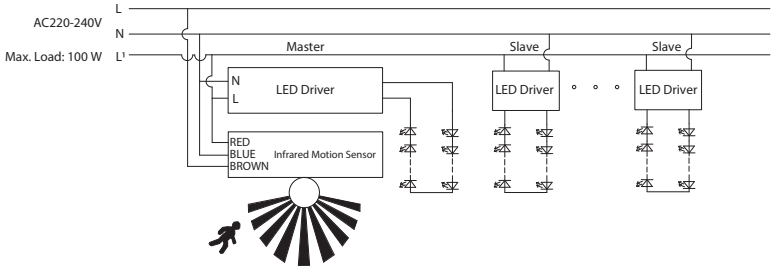
## AC-WIRING OPTIONS



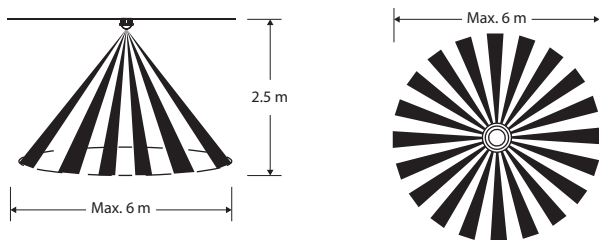
## SENSOR - SPECIFICATIONS



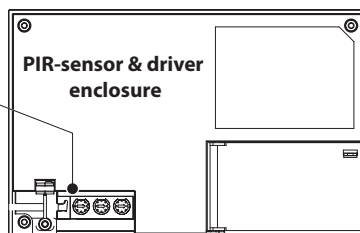
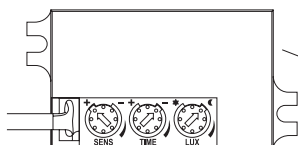
## SENSOR - WIRING DIAGRAM



## SENSOR - DETECTION RANGE DIAGRAM



## SENSOR - SETTINGS



Factory settings		
Detection area	Hold time	Daylight sensor
100%	10 sec.	10 lux



### Detection area / Sensitivity

The detection area / sensitivity of the sensor can be adjusted by the knob "SENS". Turning clockwise increases the sensitivity to a maximum of  $\varnothing$  6 m detection surface at 2.5 m installation height. Turning the knob anti-clockwise decreases the sensitivity to a minimum of  $\varnothing$  2 m detection surface at 2.5 m installation height.

**NOTE:** the sensitivity setting may be affected by the ambient temperature in the installation environment.



### Hold time

The hold time can be adjusted by the knob "TIME". Turning clockwise increases the hold time to a maximum of 7 minutes. Anti-clockwise decreases the hold time to a minimum of 10 sec.



### Daylight sensor

The daylight threshold can be adjusted by the knob "LUX". Turning the knob clockwise increases the daylight threshold to a maximum of 2000 lux. Anti-clockwise decreases the daylight threshold to a minimum of 10 lux.

**NOTE:** The daylight threshold may be affected by the amount of (artificial) ambient light and behaviour may vary between different luminaires.

## ENVIRONMENTAL PROTECTION

Waste electrical products should not be disposed of with household waste. Please recycle where facilities exist. Check with your local authority or retailer for recycling advice.



# PROLUMIA®

## IMPORTER

### NEDELKO B.V.

Riga 10

2993 LW BARENDRECHT

**T** +31 (0)180 64 54 00

**E** info@nedelko.nl

### NEDELKO BELGIUM NV

Prins Boudewijnlaan 49

2650 EDEGEM

**T** +32 (0)3 826 99 99

**E** info@nedelko.be

### NEDELKO S.R.O.

Ke Slivenci 48

154 00 PRAHA 5 - LOCHKOV

**T** +420 222 563 003

**E** info@nedelko.cz

### NEDELKO GERMANY GMBH

Feldbergstraße 57

61440 OBERURSEL

**T** +49 6171 8989 594

**E** info@nedelko.de