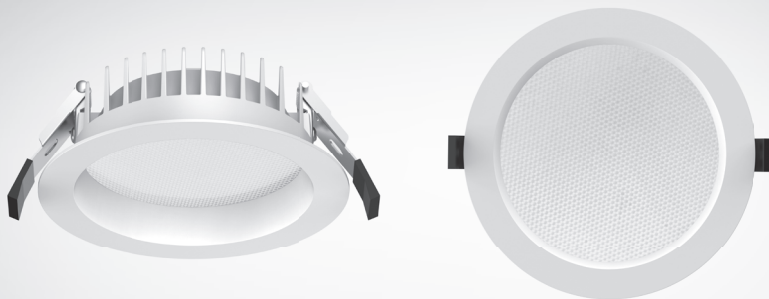


# PROLUMIA®

## PRO-LOGIC RECESSED DOWNLIGHT



## INSTRUCTION MANUAL

42174100	Pro-Logic 68   max. 8 W
42174110	Pro-Logic 90   max. 10 W
42174120	Pro-Logic 120   max. 15 W
42174130	Pro-Logic 160   max. 15 W
42174141	Pro-Logic 200   max. 25 W



## ATTENTION

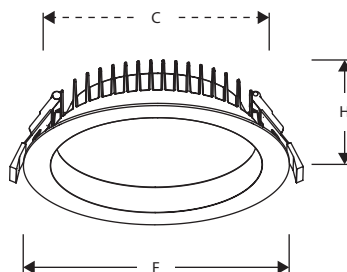
**IMPORTANT** - READ THE INSTRUCTION MANUAL CAREFULLY BEFORE INSTALLING THIS FIXTURE.  
RETAIN THIS INSTRUCTION MANUAL FOR FUTURE REFERENCE.

## CAUTION

1. This product must be installed by a qualified electrician.
2. Before starting installation, SHUT the line feed AC-power OFF using the circuit breaker.
3. Cross-sectional area of installation wires must be in the range 0.50 to 1.50 mm<sup>2</sup>. Installation must be done according to IEC-standards and/or applicable local electrical regulations.
4. This product contains a light source of energy efficiency class D.

## GENERAL PRODUCT INFORMATION

LED-module	SMD2835-based, non-replaceable
Beam angle	90°
Adjustable CCT	3000-3500-4000 K, slide switch selectable
Adjustable lm-output*	Slide switch selectable per table below
Ingress Protection	IP44 above ceiling, IP54 below ceiling
Luminous efficacy	88 up to 134 lm/W
Lumen packages	570 - 3162 lm, 5 levels per fixture*
Anti-glare rating	UGR <22
Median useful life	L90 >50,000 hours   L80 >100,000 hours
AC Input	220-240 V AC, 50/60 Hz
Operating temperature	-20°C – +40°C
Electrical safety class	Class II
Power supply	Non-dimmable LED-Driver
Fixture material	Light weight aluminium / low profile design



C = Cutout size  
H = Height  
F = Front

See respective table columns below for details.

\* ) Feature not applicable to Pro-Logic 68 and 90 versions.

## TECHNICAL PRODUCT DATA

Item no.	Description	Height (mm)	Front (mm)	Cutout size (mm)	CCT options (K)	Current (mA)	Power (W)	Output (lm)
42174100	Pro-Logic 68   max. 8 W	49	Ø 85	Ø 68-75	3000 3500 4000	180	6.5	570
42174110	Pro-Logic 90   max. 10 W	52	Ø 110	Ø 90-95	3000 3500 4000	200	8	700
42174120	Pro-Logic 120   max. 15 W	53	Ø 145	Ø 120-130	3000	150	5.5	619
					3500	200	7.5	825
					4000	250	9.5	1031
						300	11.5	1238
						360	14	1485
42174130	Pro-Logic 160   max. 15 W	53	Ø 190	Ø 160-170	3000	150	5.6	698
					3500	200	7.6	931
					4000	250	9.9	1197
						300	11.3	1349
						360	13.6	1607
42174141	Pro-Logic 200   max. 25 W	53	Ø 228	Ø 200-210	3000	300	11	1469
					3500	400	15.6	2053
					4000	450	17.5	2310
						500	19.6	2560
						620	24.5	3162

## ACCESSORIES

Item no.	Description
40002901	Surface Mount Enclosure for Pro-Logic 120 Downlight - Ø 145 x H 93 mm
40002902	Surface Mount Enclosure for Pro-Logic 160 Downlight - Ø 190 x H 93 mm
40002903	Surface Mount Enclosure for Pro-Logic 200 Downlight - Ø 228 x H 100 mm
40002905	Emergency Conversion Kit - 3h - Autotest - LiFePO4-Battery - 6.4 V - 3200 mAh

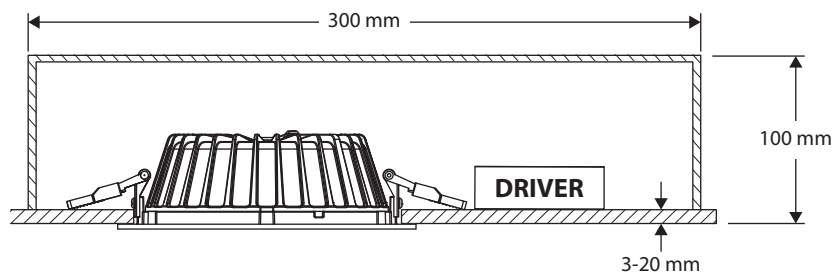
## INTENDED USE & APPLICATIONS

- Ceiling-recessed or surface mounted general lighting
- Energy-saving replacement of compact fluorescent downlights
- Cost-effective quality lighting for new construction projects
- Suitable for traffic zones, corridors, entrance areas and general spaces
- Concealed luminaire design, suitable for IP54 outdoor application
- Versatile lighting solution for healthcare and educational facilities, retail and hospitality projects

## CIRCUIT BREAKER MAXIMUM LOAD

Item no.	Description	No. of units per circuit breaker type			
		B16	B20	C16	C20
42174100	Pro-Logic 68   max. 8 W	138	167	235	287
42174110	Pro-Logic 90   max. 10 W	138	167	235	287
42174120	Pro-Logic 120   max. 15 W	119	149	202	248
42174130	Pro-Logic 160   max. 15 W	119	149	202	248
42174141	Pro-Logic 200   max. 25 W	76	95	129	158

## RECESSED INSTALLATION - MINIMUM SPACINGS

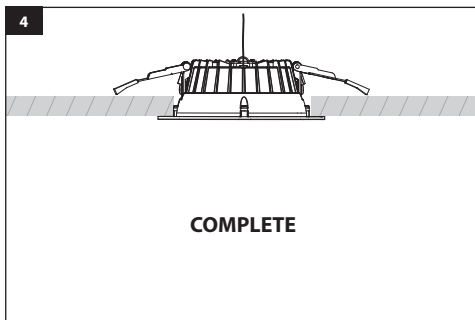
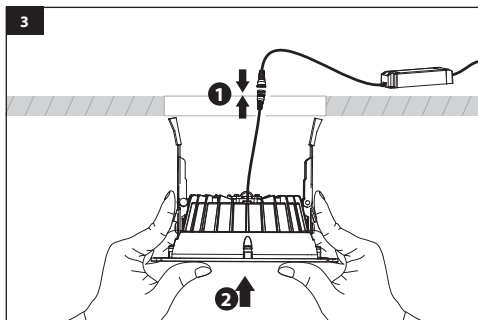
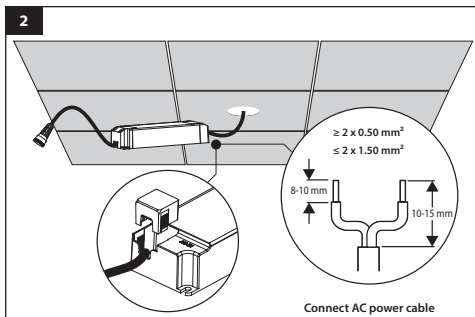
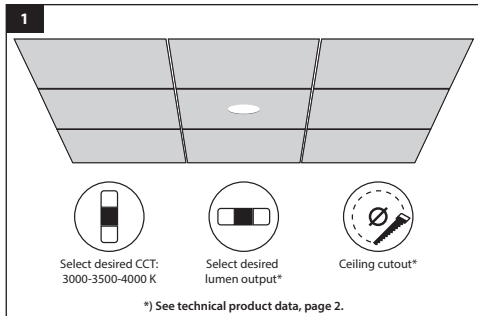


## ENVIRONMENTAL PROTECTION

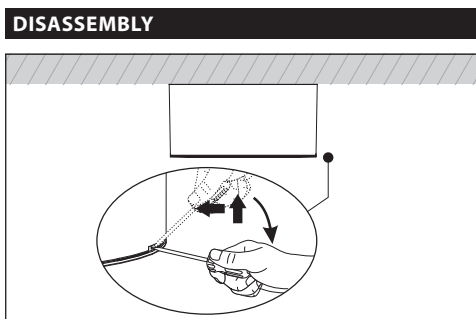
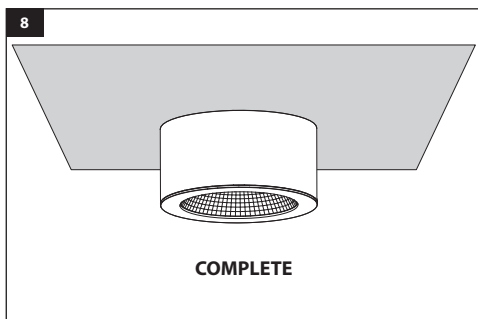
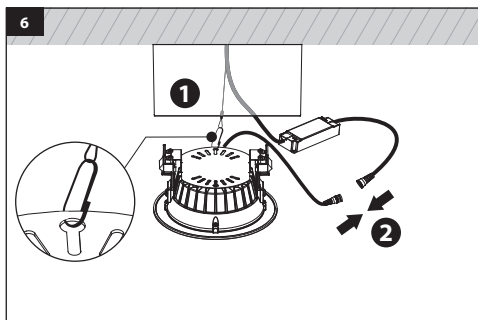
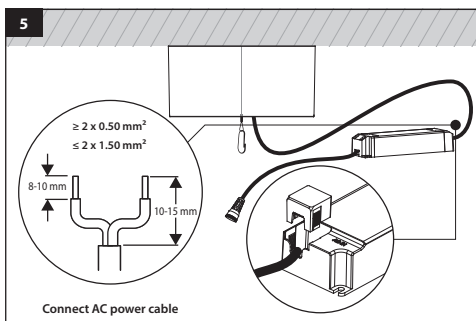
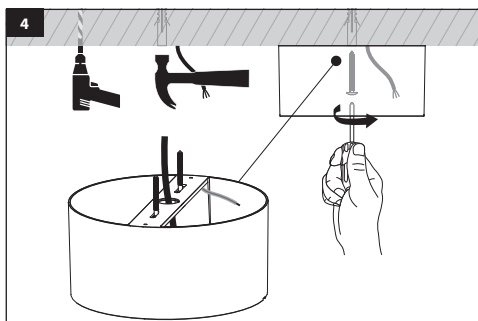
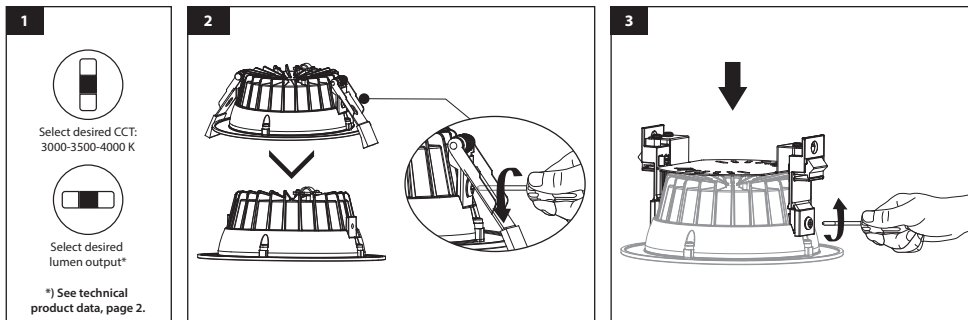
Waste electrical products should not be disposed of with household waste. Please recycle where facilities exist. Check with your local authority or retailer for recycling advice.



## RECESSED INSTALLATION



## SURFACE MOUNTED INSTALLATION





NOTES

---

---

---

---

---

---

---

---

---

---

---

---

---

---

---

---

---

---

---

---

---

---

---

---

---

---

---

---

---

---

# PROLUMIA®

## IMPORTER

### NEDELKO B.V.

Riga 10

2993 LW BARENDRECHT

**T** +31 (0)180 64 54 00

**E** info@nedelko.nl

### NEDELKO BELGIUM NV

Prins Boudewijnlaan 49

2650 EDEGEM

**T** +32 (0)3 826 99 99

**E** info@nedelko.be

### NEDELKO S.R.O.

Ke Slivenci 48

154 00 PRAHA 5 - LOCHKOV

**T** +420 222 563 003

**E** info@nedelko.cz

### NEDELKO GERMANY GMBH

Feldbergstraße 57

61440 OBERURSEL

**T** +49 6171 8989 594

**E** info@nedelko.de