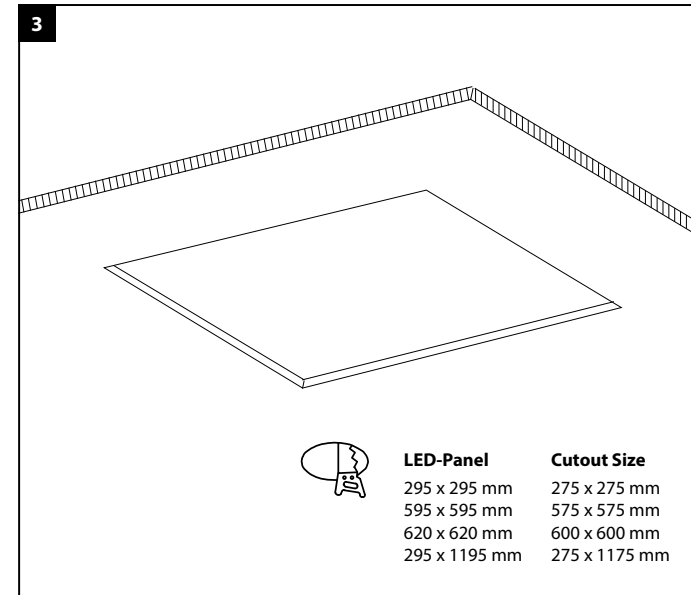
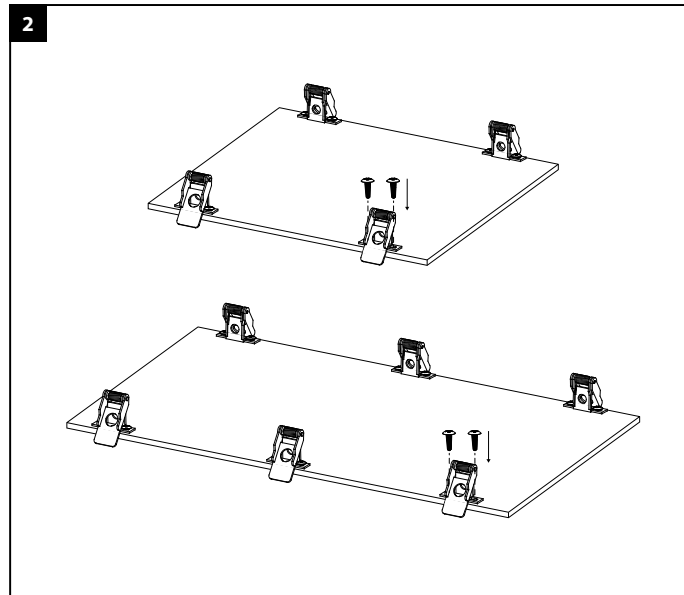
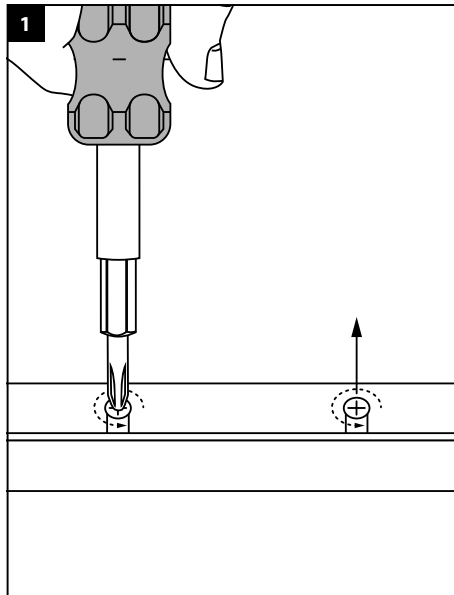


# PROLUMIA<sup>®</sup> ECO-PANEL BL RECESS CLIP SET

**INSTALLATION MANUAL**  
40000067 (4 pcs) & 40000068 (6 pcs)



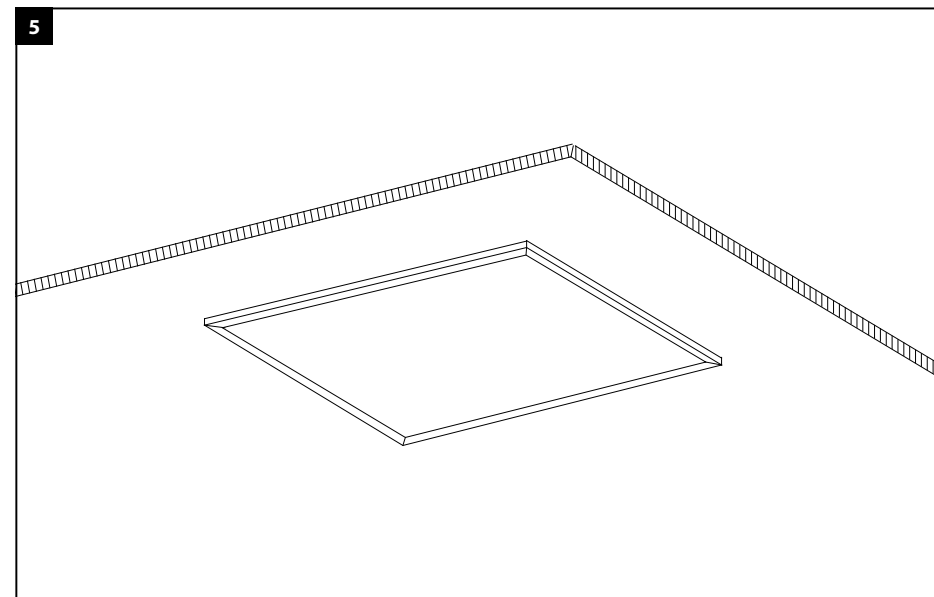
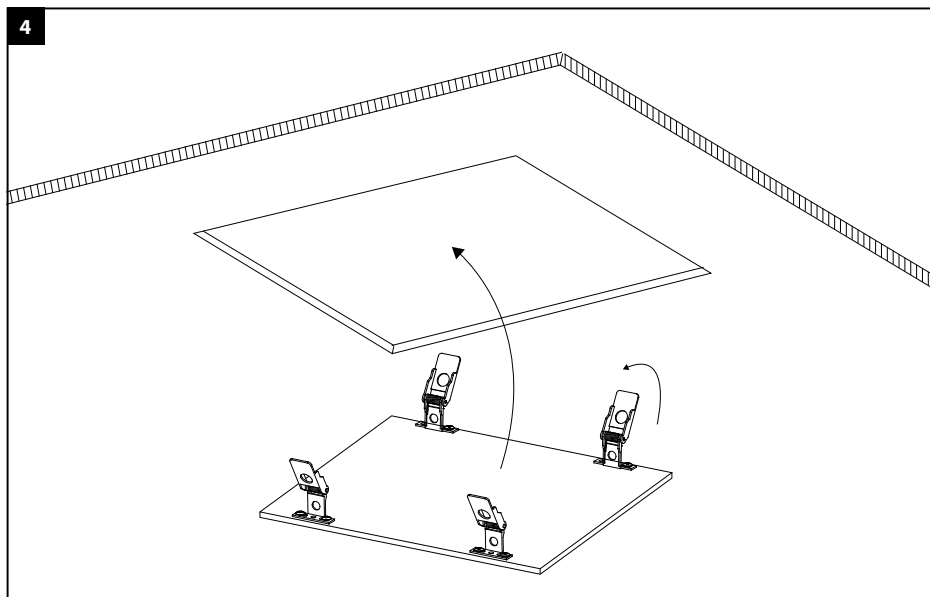
**IMPORTER**

NEDELKO B.V.  
Riga 10  
2993 LW Barendrecht  
T +31 (0)180 64 54 00  
E info@nedelko.nl

NEDELKO BELGIUM NV  
Prins Boudevijnlaan 49  
2650 Edegem  
T +32 (0)3 826 99 99  
E info@nedelko.be

NEDELKO S.R.O.  
Ke Slivenci 49  
154 00 Praha 5 - Lochkov  
T +420 222 563 003  
E info@nedelko.cz

NEDELKO GERMANY GMBH  
Heinz-Bäcker-Str. 27  
45356 Essen  
T +49 (0)201 560503 50  
E info@nedelko.de



Version: 1.0 - 2023-03