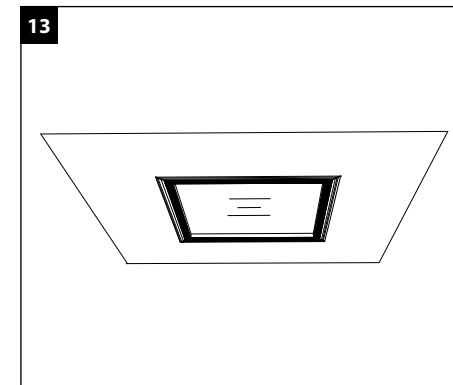
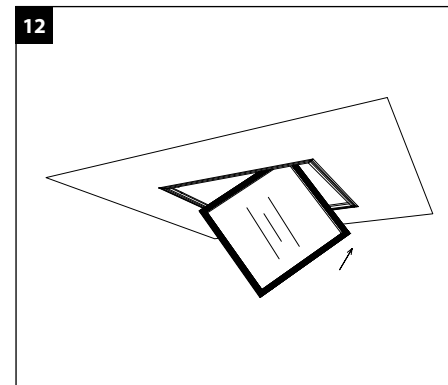
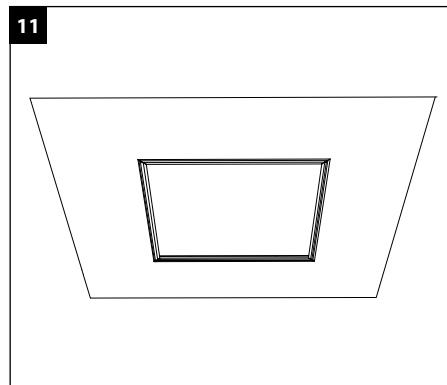
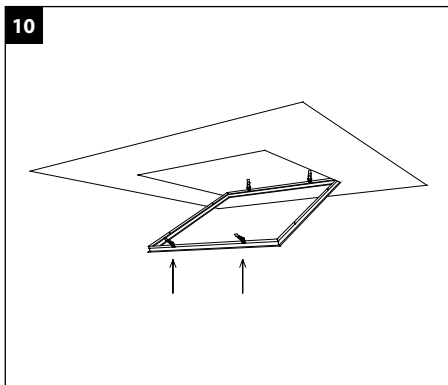
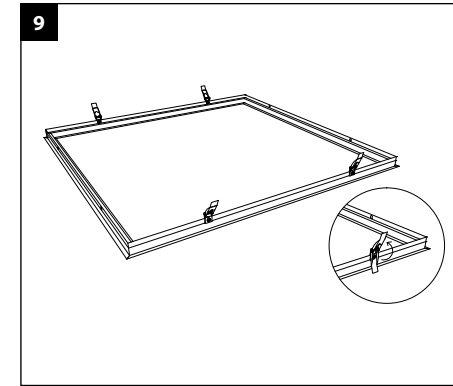
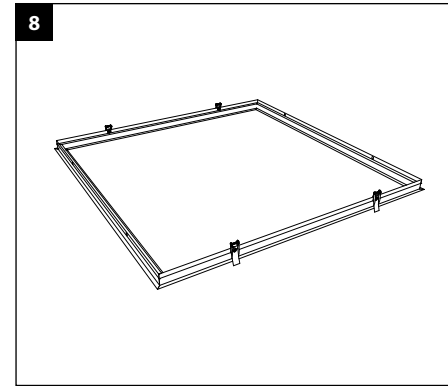
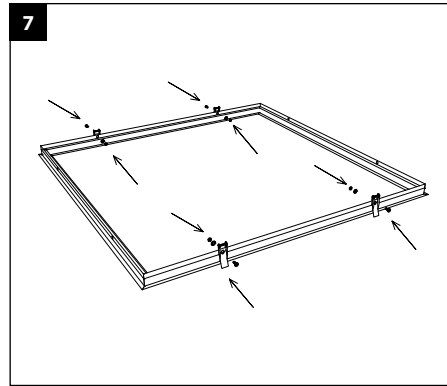
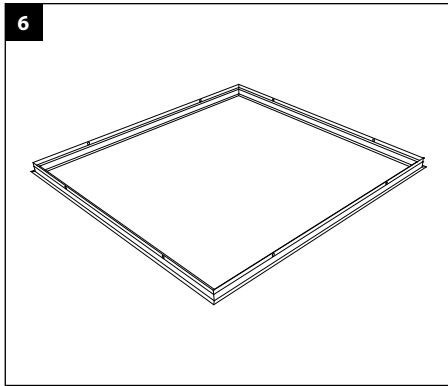
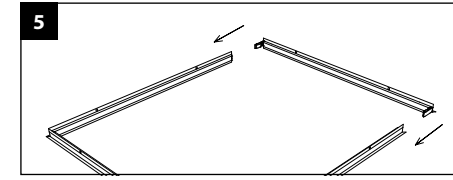
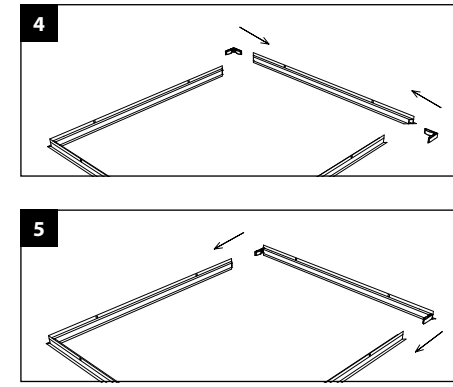
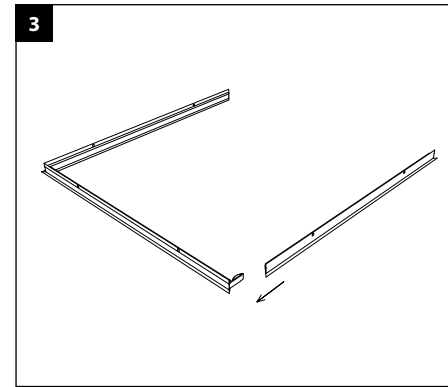
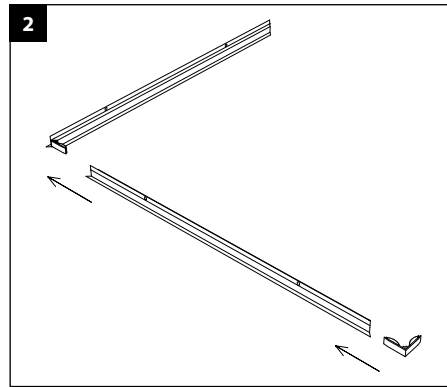
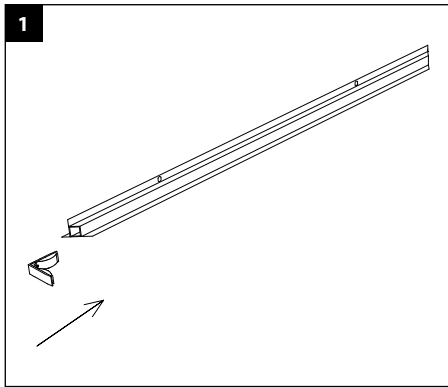


PROLUMIA[®] ECO-PANEL BL RECESS MOUNT FRAME

INSTALLATION MANUAL

40000063, 40000064 & 40000065



IMPORTER

NEDELKO B.V.
Riga 10
2993 LW Barendrecht
T +31 (0)180 64 54 00
E info@nedelko.nl

NEDELKO BELGIUM NV
Prins Boudevijnlaan 49
2650 Edegem
T +32 (0)3 826 99 99
E info@nedelko.be

NEDELKO S.R.O.
Ke Slivenci 49
154 00 Praha 5 - Lochkov
T +420 222 563 003
E info@nedelko.cz

NEDELKO GERMANY GMBH
Heinz-Bäcker-Str. 27
45356 Essen
T +49 (0)201 560503 50
E info@nedelko.de

Version: 1.0 - 2023-03