



Technical Data Sheet

All Purpose Cable Lockout

Effective Date: 05/05/2022

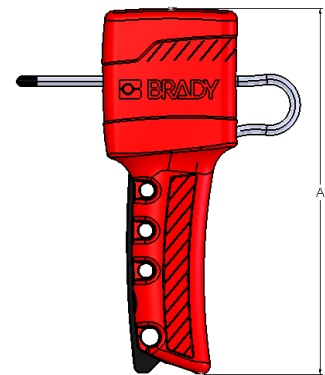
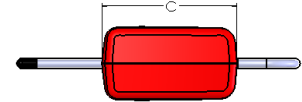
Description

- Lightweight body made of rugged ABS in an ergonomic friendly design
- Interchangeable PVC coated steel and nylon cables
- 4 lock holes accommodate most lock shackles
 - Lock hole specifically designed to accommodate lock hasps

Details

- Housing Material - ABS
- Housing Colors:
 - Red
 - Green
- Handle Material - GLASS FILLED NYLON
- Housing Dimensions:

A	7.17 in [182.17 mm]
B	1.44 in [36.59 mm]
C	2.67 in [67.89 mm]
- Cable Options:
 - Nylon
 - PVC Coated Steel
- Accepted Cable Diameters:
 - 0.118 in to 0.197 in [3 mm to 5mm]
- Set Screw Hex Key Dimension:
 - 3/32 in OR 2.5 mm



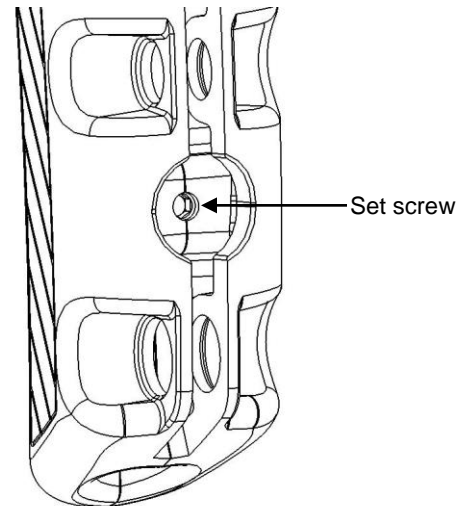
Service Temperature

- -40 °F to 212 °F (-40 °C to 100 °C)

Regulatory Information

This product has been tested and validated to the Regulatory Requirements listed below:

- OSHA 29 CFR 1910.147 ©(4)(ii)(A)(1)/(c)(5)(ii)(C)(1)
- ANSI Standard Z244



Note: All values shown are averages and should not be used for specification purposes.

Test data and test results contained in this document are for general information only and shall not be relied upon by Brady customers for designs and specifications, or be relied on as meeting specified performance criteria. Customers desiring to develop specifications or performance criteria for specific product applications should contact Brady for further information.

Product compliance information is based upon information provided by suppliers of the raw materials used by Brady to manufacture this product or based on results of testing using recognized analytical methods performed by a third party, independent laboratory. As such, Brady makes no independent representation or warranties, express or implied, and assumes no liability in connection with the use of this information.

Catalog Numbers

All Purpose Cable Lockout Device			
Catalog Number	Description	Device Color	Cable Color
50941	All Purpose Cable Lockout with 8ft nylon cable	Red	Red
50943	All Purpose Cable Lockout with 8ft steel cable	Red	Steel with clear coating
50944	All Purpose Cable Lockout with no cable	Red	N/A
170378	All Purpose Cable Lockout with 8ft steel cable	Green	Steel with clear coating
170377	All Purpose Cable Lockout with no cable	Green	N/A

Spare Cables		
Catalog Number	Description	Cable Color
170409	8ft nylon cable	Red
170379	164 ft nylon cable spool	Red
170408	8ft PVC coated steel cable	Steel with clear coating
122263	164 ft PVC coated steel cable spool	Steel with clear coating

WARRANTY

Brady products are sold with the understanding that the buyers will test them in actual use and determine for themselves their adaptability to their intended uses. Brady warrants to the buyers that its products are free from defects in material and workmanship, but limits its obligations under this warranty to replacement of the product shown to Brady's satisfaction to have been defective at the time Brady sold it. This warranty does not extend to any persons obtaining the product from the buyers. This warranty is in lieu of any other warranty, express or implied, including, but not limited to, any implied warranty of merchantability or fitness for a particular purpose, and any other obligations or liability on Brady's part. Under no circumstances will Brady be liable for any loss, damage, expense, or consequential damages of any kind arising in connection with the use, or inability to use, Brady's products.

Copyright 2020 Brady Worldwide, Inc. | All Rights Reserved
Material may not be reproduced or distributed in any form without written permission